

SELF-PROPELLED VERTICAL LIFTS

PARTS MANUAL

(For AMWP8-1000/ AMWP9.5-1000)



WARNING

THE MANUFACTURER SHALL NOT BE HELD LIABLE IN CASE OF FAULTS OR ACCIDENTS DUE TO NEGLIGENCE, INCAPACITY, INSTALLATION BY UNQUALIFIED TECHNICIANS AND IMPROPER USE OF THE MACHINE

DO NOT OPERATE THIS MACHINE UNTIL YOU READ AND UNDERSTAND ALL THE DANGERS, WARNINGS AND CAUTIONS IN THIS MANUAL

Part Number: SM0507211

Version of the Record

Version Number	Create Date
SM0507211_Rev1.0	2007-05
SM0507211_Rev2.0	2008-07
SM0507211_Rev3.0	2011-01
SM0507211_Rev4.0	2013-08
SM0507211_Rev5.0	2015-06

Table of Contents

Section1 Chassis

Figure 1-1	Cover Installation	1-1
Figure 1-2	Chassis Assembly	1-3
Figure 1-3	Pot Hole Protection Assembly	1-7
Figure 1-4	Ground Control Panel Assembly.....	1-9
Figure 1-5	Electrical Module Assembly	1-10

Section2 Mast

Figure 2-1	Mast and Chassis Installation	2-1
Figure 2-2	Mast Assembly (AMWP8-1000).....	2-3
Figure 2-3	Mast Assembly (AMWP9.5-1000).....	2-6
Figure 2-4	Trolley Seat Assembly	2-9
Figure 2-5	Lifting Chain Assembly (AMWP8-1000).....	2-10
Figure 2-6	Lifting Chain Assembly (AMWP9.5-1000).....	2-12
Figure 2-7	2-2 Mast Chain Wheel Assembly.....	2-14
Figure 2-8	3-3 Mast Chain Wheel Assembly.....	2-15
Figure 2-9	4-4 Mast Chain Wheel Assembly.....	2-16

Section3 Platform

Figure 3-1	Platform and Mast Installtion (Standard Platform).....	3-1
Figure 3-2	Platform and Mast Installtion (Extended Platform).....	3-3
Figure 3-3	Platform Assembly (Standard Platform)	3-4
Figure 3-4	Platform Assembly (Extended Platform)	3-6
Figure 3-5	Platform Control Box.....	3-9

Section4 Hydraulic System

Figure 4-1	Lift Cylinder Assembly	4-1
Figure 4-2	Hydraulic Hoses and Fittings	4-3

Chassis

Section 1

Figure 1-1 Cover Installation

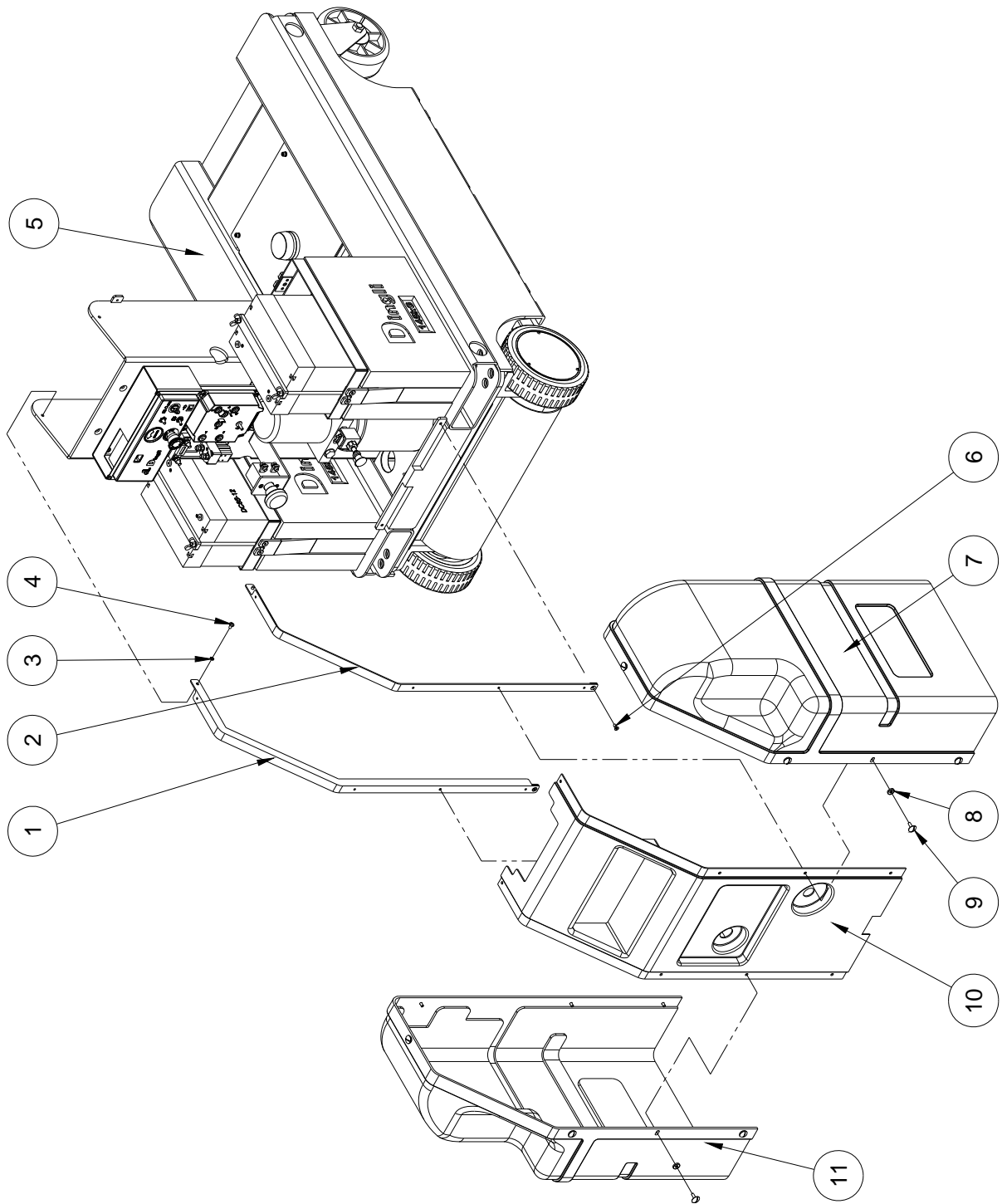


Figure 1-1 Cover Installation

Item	Part Number	Description	Qty.	Remark
1	AMWP8-1000-100105	Cover bracket	1	
2	AMWP8-1000-100105a	Cover bracket	1	
3	GB/T 93-1987	Spring washer 6	2	
4	GB/T 818-2000	Screw M6×10-H	2	
5	AMWP8-1000-104000	Chassis assembly	1	AMWP8-1000
	AMWP9.5-1000-104000	Chassis assembly	1	AMWP9.5-1000
6	GB/T 819.1-2000	Screw M6×14-H	2	
7	AMWP8-1000-100102a	Right cover	1	
8	AMWP8-1000-100103	Washer	14	
9	AMWP8-1000-100104	Screw	14	
10	AMWP8-1100-100201	Middle cover	1	
11	AMWP8-1000-100102	Left cover	1	

Figure 1-2 Chassis Assembly

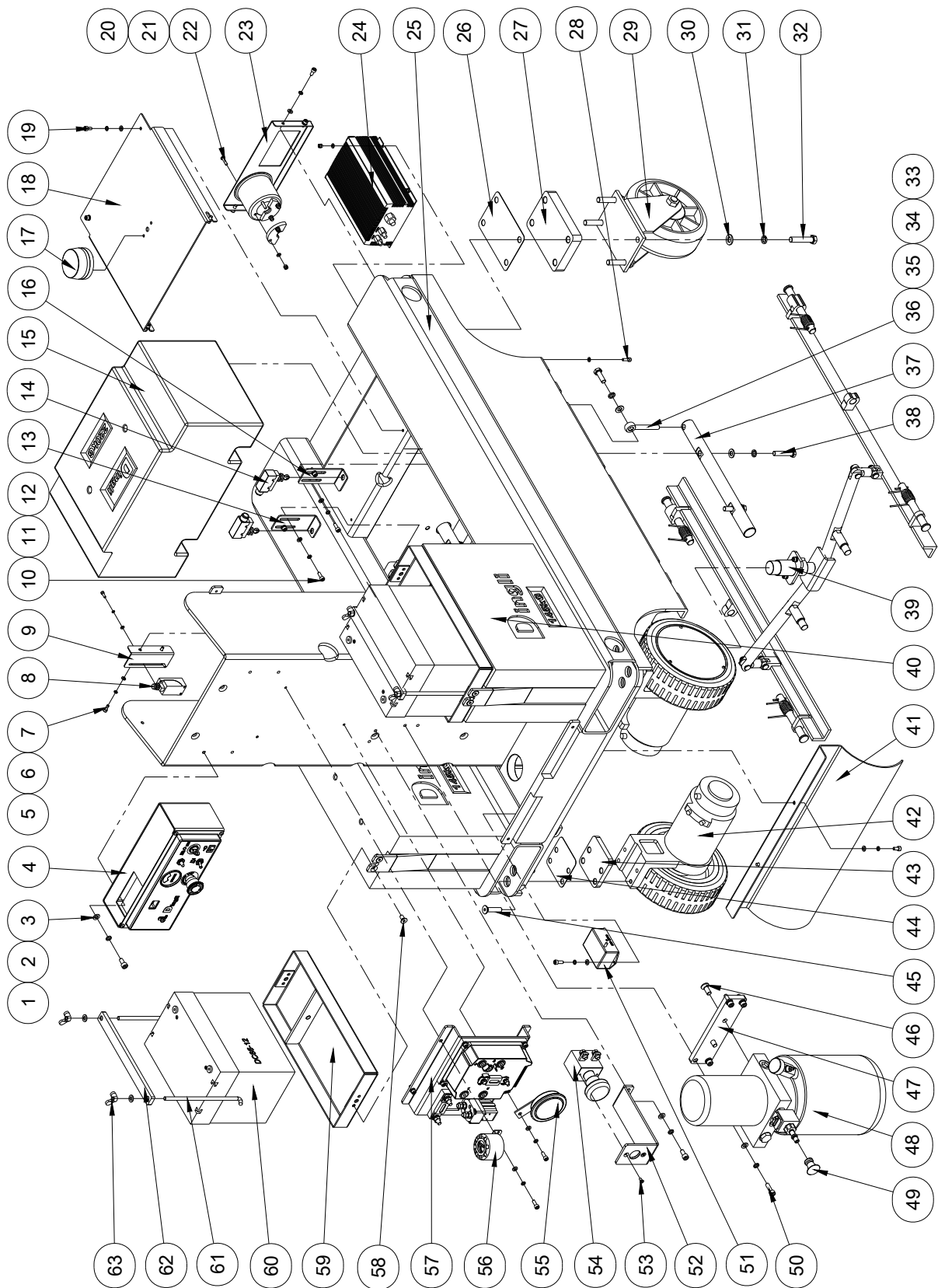


Figure 1-2 Chassis Assembly

Item	Part Number	Description	Qty.	Remark
1	GB/T 70.1-2000	Screw M8x16	6	
2	GB/T 93-1987	Spring washer 8	10	
3	GB/T 97.1-2002	Washer 8	14	
4	AMWP8-1100-100100	Ground control panel assembly	1	
5	GB/T 70.1-2000	Screw M5x12	4	
6	GB/T 93-1987	Spring washer 5	4	
7	GB/T 97.1-2002	Washer 5	16	
8	6909-0701200-01	Limit switch	1	
9	AMWP8-1000-100003	Switch seat	1	
10	GB/T 70.1-2000	Screw M6x16	9	
11	GB/T 93-1987	Spring washer 6	19	
12	GB/T 97.1-2002	Washer 6	19	
13	AMWP8-1000-140011a	Switch seat	1	
14	6909-0757004-01	Limit switch	2	
15	AMWP9.5-1000-100001	Weighty block	1	AMWP9.5-1000
16	AMWP8-1000-140011	Switch seat	1	
17	6914-0200031-01	Beacon	1	
18	AMWP8-1000-100004	Cover board	1	
19	GB/T 70.1-2000	Screw M6x12	10	
20	GB/T 818-2000	Screw M5x20-H	4	
21	JCPT1212HD-121003	Half-round batten	2	
22	GB/T 6182-2000	Nut M5	8	
23	AMWP8-1000-104110	Charger panel	1	
24	6901-0142411-01	Charger	1	
25	AMWP8-1000-112000	Chassis weldment	1	
26	AMWP8-1000-100007	Adjustive washer	2	
27	AMWP8-1000-100006	Support plate for front wheel	2	
28	GB/T 70.1-2000	Screw M5x16	4	
29	AMWP8-1000-180200	Front wheel assembly	2	

Figure 1-2 Chassis Assembly

Item	Part Number	Description	Qty.	Remark
30	GB/T 97.1-2002	Washer 12	8	
31	GB/T 93-1987	Spring washer 12	8	
32	GB/T 5783-2000	Bolt M12x60	8	
33	GB/T 5781-2000	Bolt M10x30	2	AMWP9.5-1000
34	GB/T 97.1-2002	Washer 10	6	
35	GB/T 93-1987	Spring washer 10	6	
36	8902-10080	Axis 10x80	2	
37	AMWP9.5-1000-100002	Axis	2	
38	GB/T 5781-2000	Bolt M10x50	4	
39	AMWP8-1000-140000	Pot hole protenton assembly	1	
40	AMWP8-1000-100010	Counterweight	2	
41	AMWP8-1000-100013	Cover for the drive motor	1	
42	HSXCQ-0.4H	Driving wheel	2	
43	AMWP8-1000-100011	Support plate for rear wheel	2	
44	AMWP8-1000-100012	Adjustive washer	2	
45	GB/T 70.3-2000	Screw M10x45	8	
46	GB/T 70.3-2000	Screw M10x25	2	
47	AMWP8-1000-102001	Pumping station setting	1	
48	5807-2201050-01	Pumping station	1	
49	AMWP8-1000-100001	Handle	1	
50	GB/T 70.1-2000	Screw M8x25	4	
51	6905-0200021-01	Tilt sensor	1	
52	AMWP8-1100-100004	Switch bracket	1	
53	GB/T 819.1-2000	Screw M4x10-H	2	
54	6909-0500260-01	Power switch	1	
55	6915-0203105-01	Horn	1	
56	6915-0103000-01	Alarm	1	
57	AMWP8-1100-100300	Electrical module assembly	1	
58	GB/T 70.3-2000	Screw M8x16	8	

Figure 1-2 Chassis Assembly

Item	Part Number	Description	Qty.	Remark
59	AMWP8-1100-120100	Battery box weldment	2	
60	6901-0312085-01	Battery	2	
61	AMWP8-1000-100009	Hook	4	
62	AMWP8-1100-100008	Bar	2	
63	GB/T 62.1-2004	Nut M8	4	

Figure 1-3 Pot Hole Protection Assembly

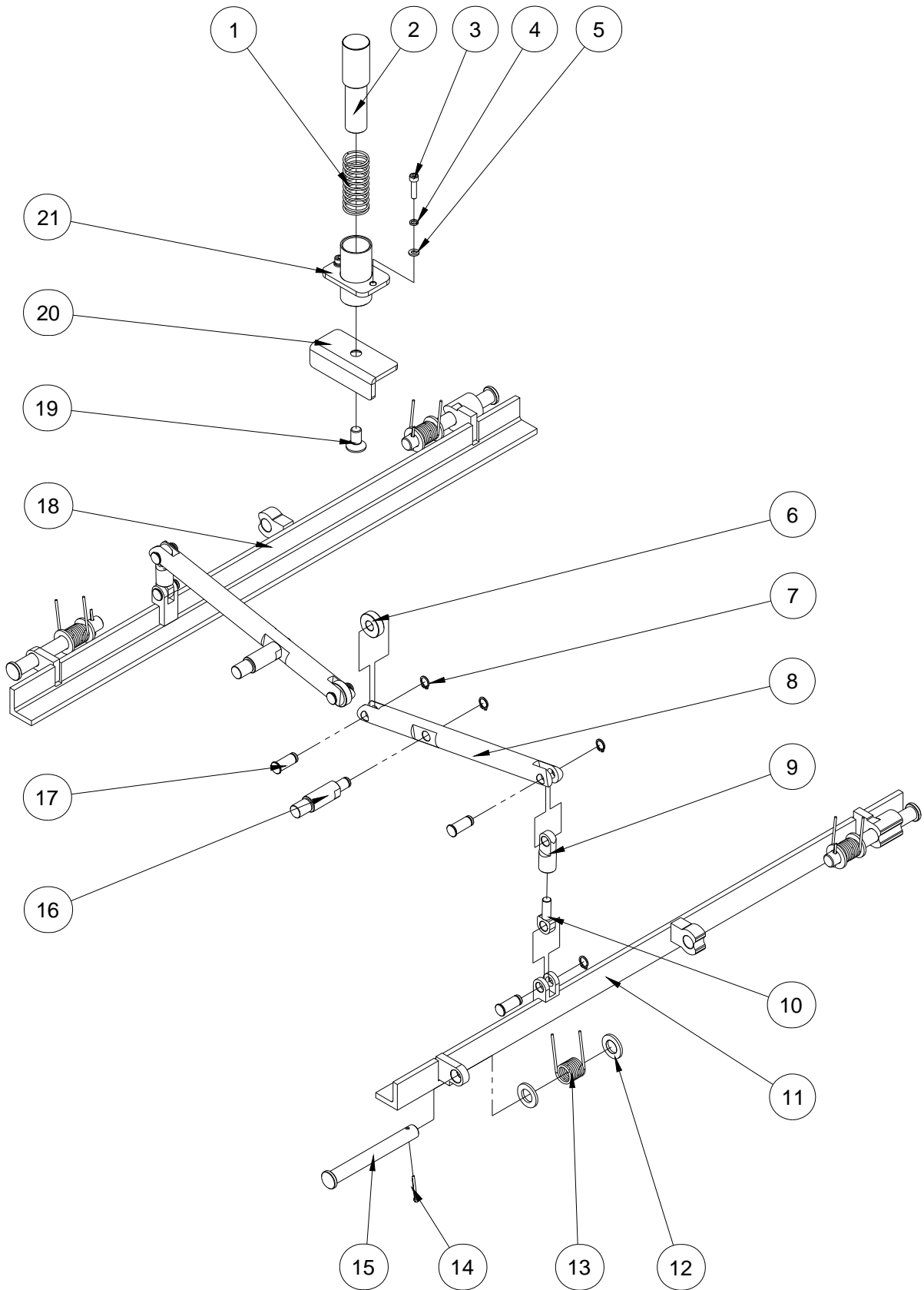


Figure 1-3 Pot Hole Protection Assembly

Item	Part Number	Description	Qty.	Remark
1	AMWP8-1000-140009	Spring	1	
2	AMWP8-1000-140010	Axis	1	
3	GB/T 70.1-2000	Screw M6x25	2	
4	GB/T 93-1987	Spring washer 6	2	
5	GB/T 97.1-2002	Washer 6	2	
6	AMWP8-1000-140008	Idler wheel	2	
7	GB/T 894.1-1986	Circlips for shaft 12	8	
8	AMWP8-1000-140007	Pole	2	
9	AMWP8-1000-140006	Nut	2	
10	AMWP8-1000-140005	Adjustive bolt	2	
11	AMWP8-1000-140100a	Pot hole board weldment	1	
12	GB/T 97.1-2002	Washer 16	8	
13	AMWP8-1000-140002	Spring	4	
14	GB/T 91-2000	Pin 3.2x25	4	
15	AMWP8-1000-140001	Long axis	4	
16	AMWP8-1000-140004	Axis	2	
17	AMWP8-1000-140003	Axis	6	
18	AMWP8-1000-140100	Pot hole board weldment	1	
19	GB/T 70.3-2000	Screw M12x25	1	
20	AMWP8-1000-140012	Board	1	
21	AMWP8-1000-140200	Sheath	1	

Figure 1-4 Ground Control Panel Assembly

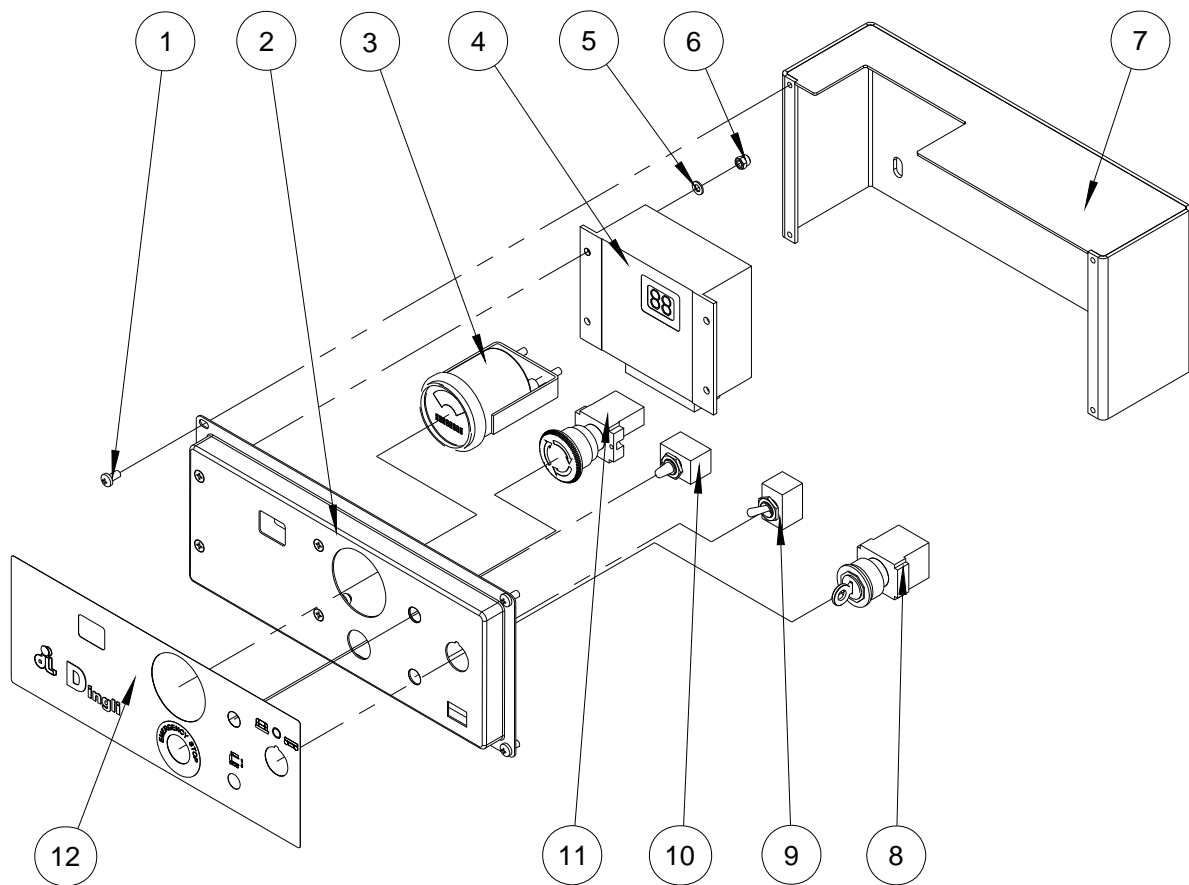


Figure 1-4 Ground Control Panel Assembly

Item	Part Number	Description	Qty.	Remark
1	GB/T 818-2000	Screw M5x10-H	4	
2	AMWP8-1100-100110	Control Panel weldment	1	
3	6908-0100103-01	HourMeter	1	
4	6904-0102002-02	ECU	1	
5	GB/T 97.1-2002	Washer 5	4	
6	GB/T 6182-2000	Nut M5	4	
7	AMWP8-1100-100120	Ground control box	1	
8	6909-0400032-01	Key Switch	1	
9	6909-0100322-02	Select Switch	1	
10	6906-5103007-01	Fuse	1	
11	6909-0501140-01	Emergency stop switch	1	
12	9121017	Decal	1	

Figure 1-5 Electrical Module Assembly

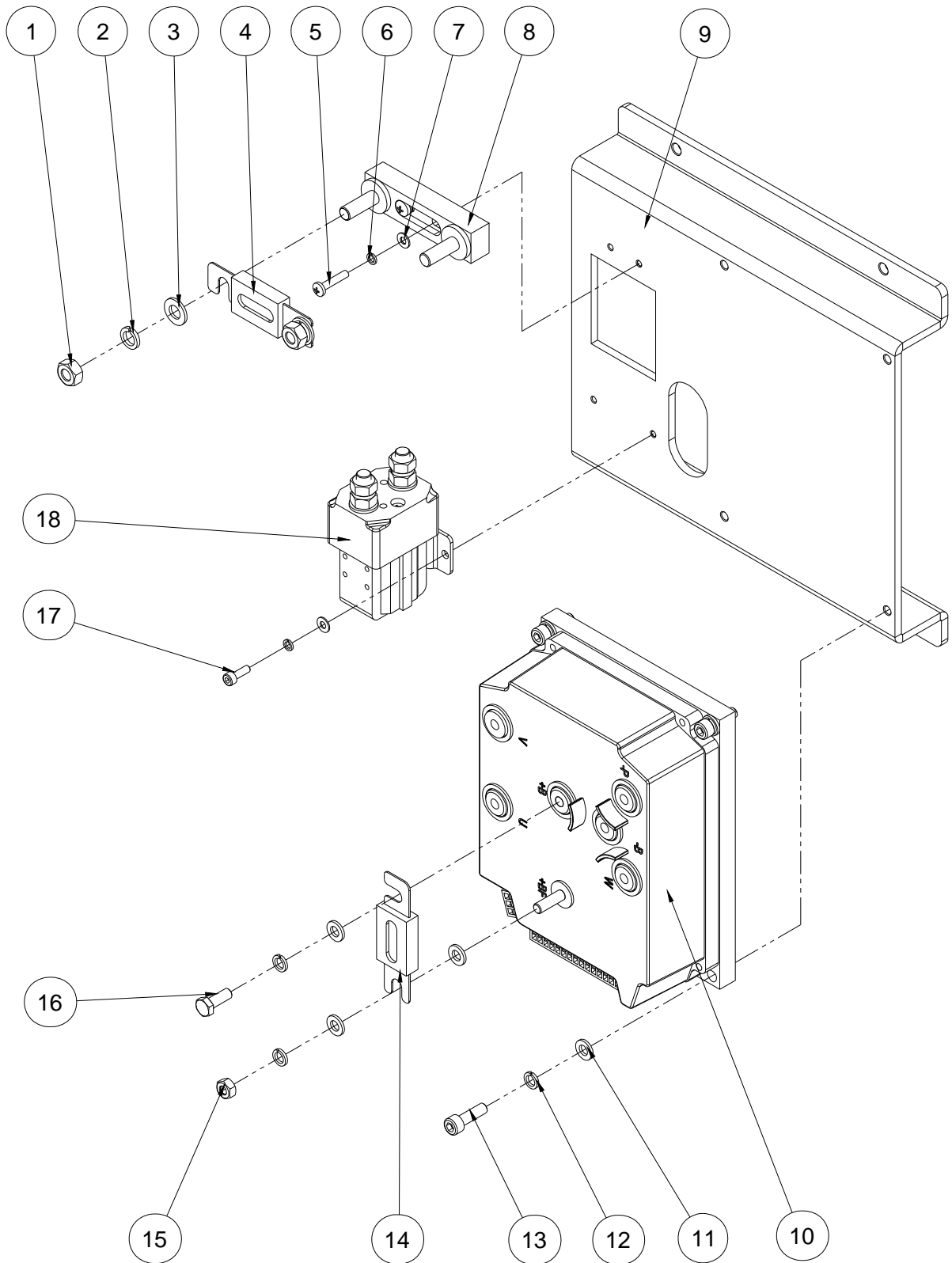


Figure 1-5 Electrical Module Assembly

Item	Part Number	Description	Qty.	Remark
1	GB/T 6170-2000	Nut M8	2	
2	GB/T 93-1987	Spring washer 8	2	
3	GB/T 97.1-2002	Washer 8	2	
4	6906-5102150-01	Fuse	1	
5	GB/T 818-2000	Screw M4×20-H	2	
6	GB/T 93-1987	Spring washer 4	4	
7	GB/T 97.1-2002	Washer 4	4	
8	6906-9100002-01	Fuse seat	1	
9	AMWP8-1100-100007	Fixed Board	1	
10	6904-0204280-01	Controller	1	
11	GB/T 97.1-2002	Washer 6	7	
12	GB/T 93-1987	Spring washer 6	6	
13	GB/T 70.1-2000	Screw M6×20	4	
14	6906-5102350-01	Fuse	1	
15	GB/T 6170-2000	Nut M6	1	
16	GB/T 5783-2000	Bolt M6×16	1	
17	GB/T 70.1-2000	Screw M4×12	2	
18	6906-0303100-01	DC Contactor	1	

Section
2

Mast

Figure 2-1 Mast and Chassis Installation

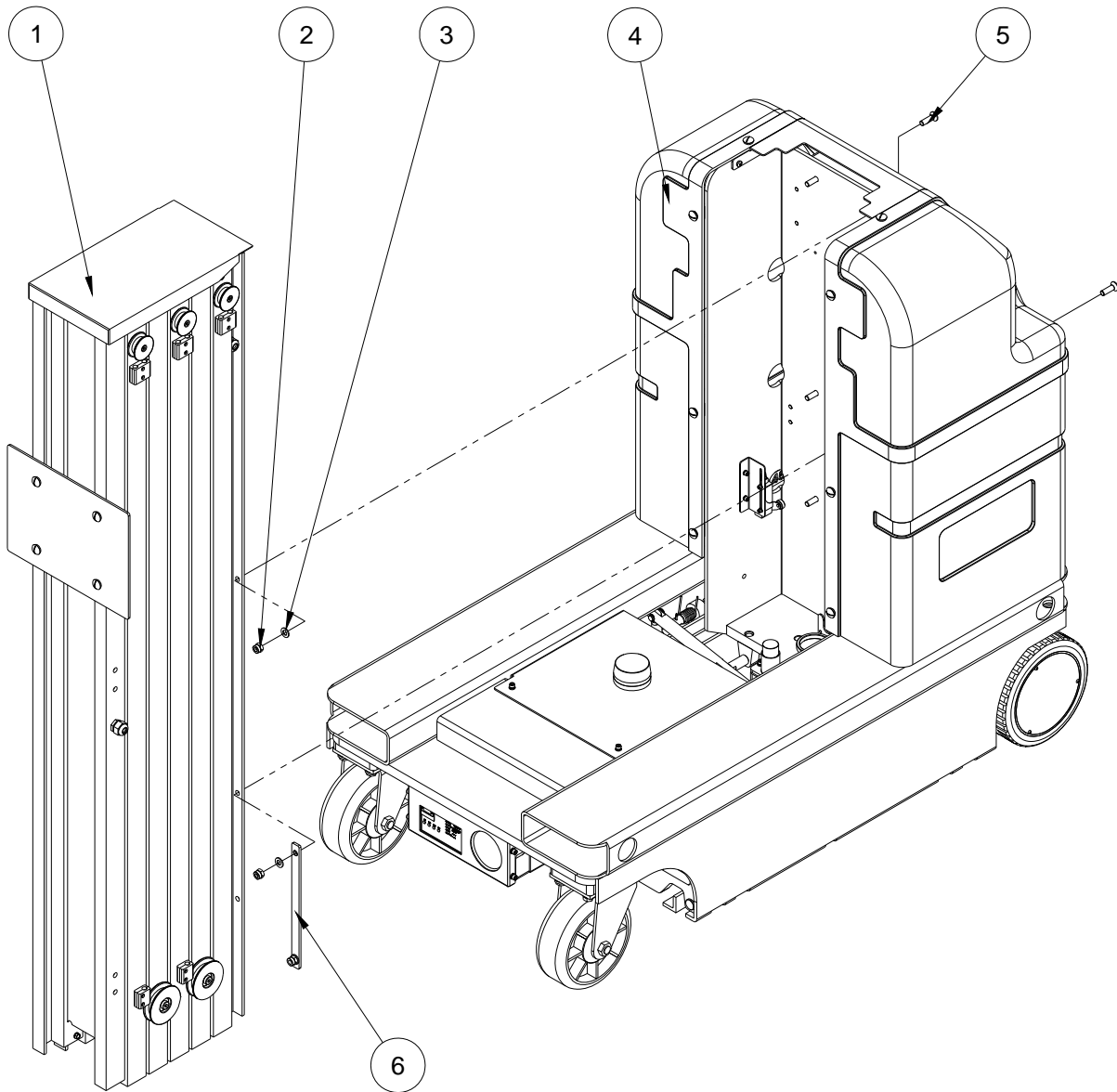


Figure 2-1 Mast and Chassis Installation

Item	Part Number	Description	Qty.	Remark
1	AMWP8-1000-320000	Mast assembly	1	AMWP8-1000 (Standard Platform)
	AMWP8-1000-321000	Mast assembly	1	AMWP8-1000 (Extended Platform)
	AMWP9.5-1000-320000	Mast assembly	1	AMWP9.5-1000 (Standard Platform)
	AMWP9.5-1000-321000	Mast assembly	1	AMWP9.5-1000 (Extended Platform)
2	GB/T 6182-2000	Nut M10	6	
3	GB/T 97.1-2002	Washer 10	6	
4	AMWP8-1000-102000	Chassis assembly	1	AMWP8-1000
	AMWP9.5-1000-104000	Chassis assembly	1	AMWP9.5-1000
5	GB/T 70.3-2000	Screw M10×35	6	
6	AMWP8-1000-320001	Splint	2	

Figure 2-2 Mast Assembly (AMWP8-1000)

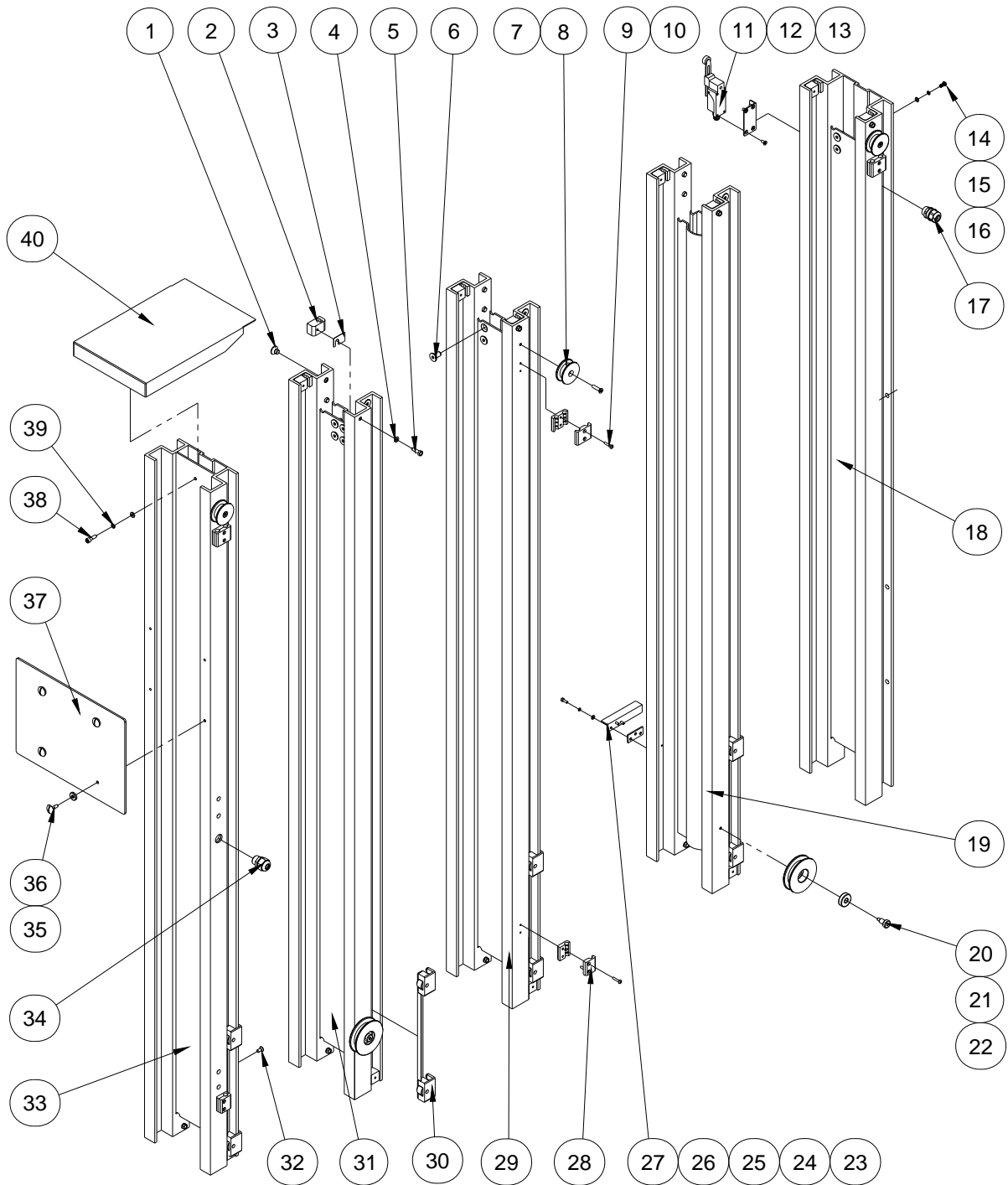


Figure 2-2 Mast Assembly (AMWP8-1000)

Item	Part Number	Description	Qty.	Remark
1	GB/T 70.3-2000	Screw M10x12	12	
2	GTWY8-320018	Block	16	
3	GTWY8-320020	Piece	16	
4	GB/T 97.1-2002	Washer 6	17	
5	GB/T 5285-1985	Screw ST6.3x25 C	16	
6	GB/T 70.3-2000	Screw M10x20	12	
7	GTWY8-320013	Little control cable sheave	3	
8	GB/T 819.1-2000	Screw M6x25-H	3	
9	GTWY8-320009	Wire fixation	6	
10	GB/T 818-2000	Screw M4x20-H	10	
11	6909-0701200-01	Limit switch	1	
12	GTWY8-320012	Limit switch seat	1	
13	GB/T 819.1-2000	Screw M5x10-H	4	
14	GB/T 818-2000	Screw M5x12-H	2	
15	GB/T 93-1987	Spring washer 5	2	
16	GB/T 97.1-2002	Washer 5	2	
17	6912-0200020-01	Water-proof joint M20x1.5	2	
18	AMWP8-1000-320101	Mast 1	1	
19	AMWP8-1000-320201	Mast 2	1	
20	GTWY8-320008	Big control cable sheave	2	
21	GB/T 276-1994	Bearing 6200	2	
22	GTWY8-320007	Bolt	2	
23	GTWY8-320011	Limit plate mat	1	
24	GTWY8-320010	Limit plate	1	
25	GB/T 97.1-2002	Washer 4	3	
26	GB/T 93-1987	Spring washer 4	3	
27	GB/T 70.1-2000	Screw M4x12	3	
28	GTWY8-320019	Single wire fixation	4	
29	AMWP8-1000-320301	Mast 3	1	

Figure 2-2 Mast Assembly (AMWP8-1000)

Item	Part Number	Description	Qty.	Remark
30	GTWY8-320100	Trolley seat assembly	8	
31	AMWP8-1000-320401	Mast 4	1	
32	GB/T 819.2-1997	Screw M6x12-H1	6	
33	AMWP8-1000-320501	Mast 5	1	Standard Platform
	AMWP8-1000-321501	Mast 5	1	Extended Platform
34	6912-0200022-01	Water-proof joint M22x1.5	1	
35	AMWP8-1000-100104	Screw	4	
36	AMWP8-1000-100103	Cushion	4	
37	AMWP8-1000-320002	Board	1	
38	GB/T 70.1-2000	Screw M6x20	1	
39	GB/T 93-1987	Spring washer 6	1	
40	GTWY6-320100	Mast cap	1	

Figure 2-3 Mast Assembly (AMWP9.5-1000)

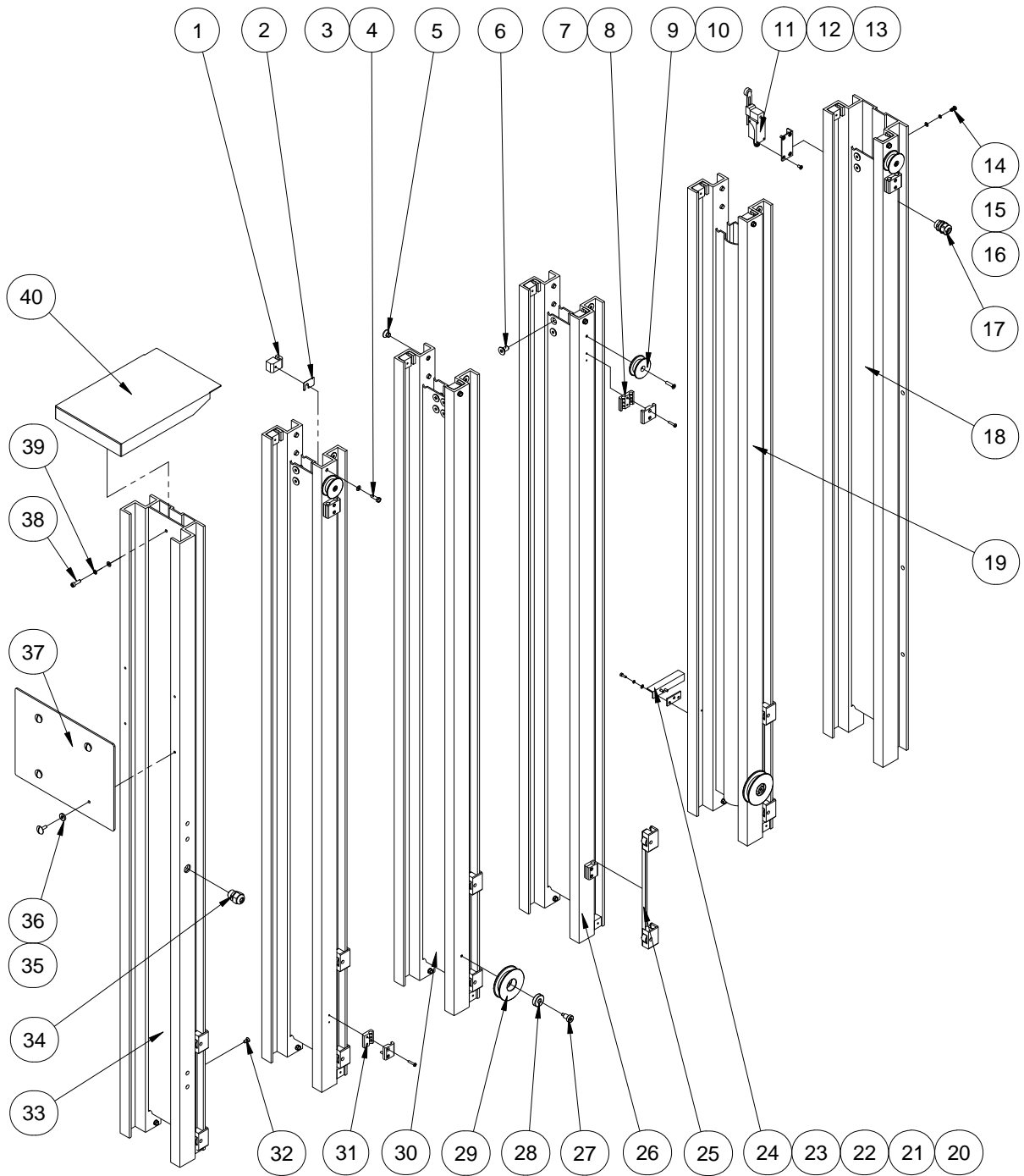


Figure 2-3 Mast Assembly (AMWP9.5-1000)

Item	Part Number	Description	Qty.	Remark
1	GTWY8-320018	Block	20	
2	GTWY8-320020	Piece	20	
3	GB/T 97.1-2002	Washer 6	21	
4	GB/T 5285-1985	Screw ST6.3×25 C	20	
5	GB/T 70.3-2000	Screw M10×12	16	
6	GB/T 70.3-2000	Screw M10×20	16	
7	GTWY8-320009	Wire fixation	6	
8	GB/T 818-2000	Screw M4×20-H	10	
9	GTWY8-320013	Little control cable sheave	3	
10	GB/T 819.1-2000	Screw M6×25-H	3	
11	6909-0701200-01	Limit switch	1	
12	GTWY8-320012	Limit switch seat	1	
13	GB/T 819.1-2000	Screw M5×10-H	4	
14	GB/T 818-2000	Screw M5×12-H	2	
15	GB/T 93-1987	Spring washer 5	2	
16	GB/T 97.1-2002	Washer 5	2	
17	6912-0200020-01	Water-proof joint M20×1.5	2	
18	AMWP8-1000-320101	Mast 1	1	
19	AMWP8-1000-320201	Mast 2	1	
20	GTWY8-320011	Limit plate mat	1	
21	GTWY8-320010	Limit plate	1	
22	GB/T 97.1-2002	Washer 4	3	
23	GB/T 93-1987	Spring washer 4	3	
24	GB/T 70.1-2000	Screw M4×12	3	
25	GTWY8-320100	Trolley seat assembly	10	
26	AMWP8-1000-320301	Mast 3	2	
27	GTWY8-320008	Big control cable sheave	2	
28	GB/T 276-1994	Bearing 6200	2	
29	GTWY8-320007	Bolt	2	

Figure 2-3 Mast Assembly (AMWP9.5-1000)

Item	Part Number	Description	Qty.	Remark
30	AMWP8-1000-320401	Mast 4	1	
31	GTWY8-320019	Single wire fixation	4	
32	GB/T 819.2-1997	Screw M6x12-H1	8	
33	AMWP9.5-1000-320601	Mast 6	1	Standard Platform
	AMWP9.5-1000-321601	Mast 6	1	Extended Platform
34	6912-0200022-01	Water-proof joint M22x1.5	1	
35	AMWP8-1000-100104	Screw	4	
36	AMWP8-1000-100103	Cushion	4	
37	AMWP8-1000-320002	Board	1	
38	GB/T 70.1-2000	Screw M6x20	1	
39	GB/T 93-1987	Spring washer 6	1	
40	GTWY8-320900	Mast cap	1	

Figure 2-4 Trolley Seat Assembly

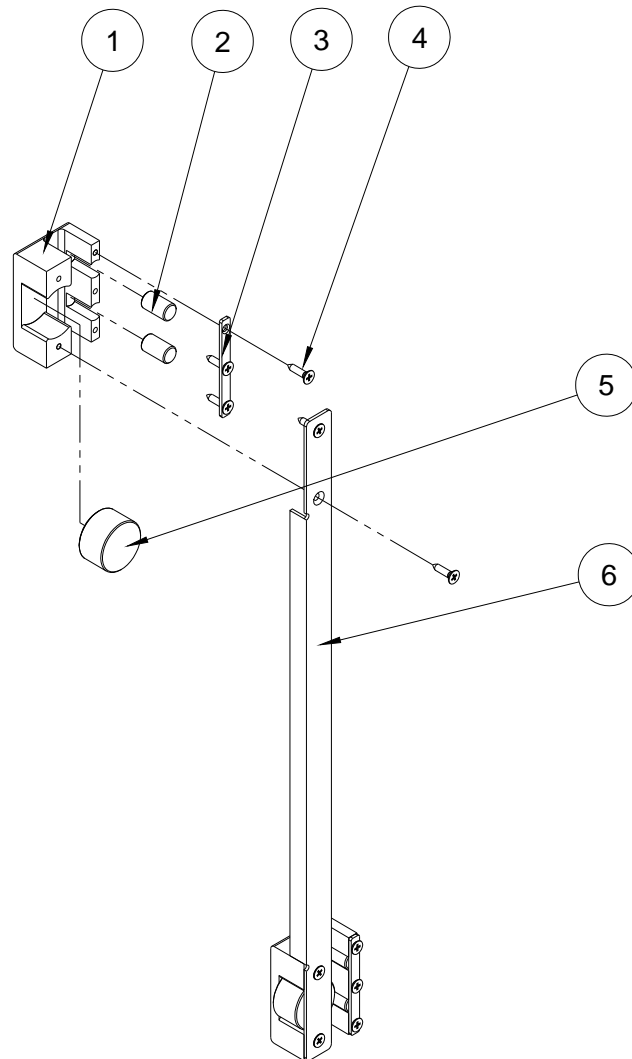


Figure 2-4 Trolley Seat Assembly

Item	Part Number	Description	Qty.	Remark
1	GTWY8-320101	Trolley seat	2	
2	GTWY8-320103	Subsidiary trolley	4	
3	GTWY8-320105	Plate	2	
4	GB/T 846-1985	Screw ST2.9×13 H C	10	
5	GTWY8-320102	Main trolley	2	
6	GTWY8-320104	Bar	1	

Figure 2-5 Lifting Chain Assembly (AMWP8-1000)

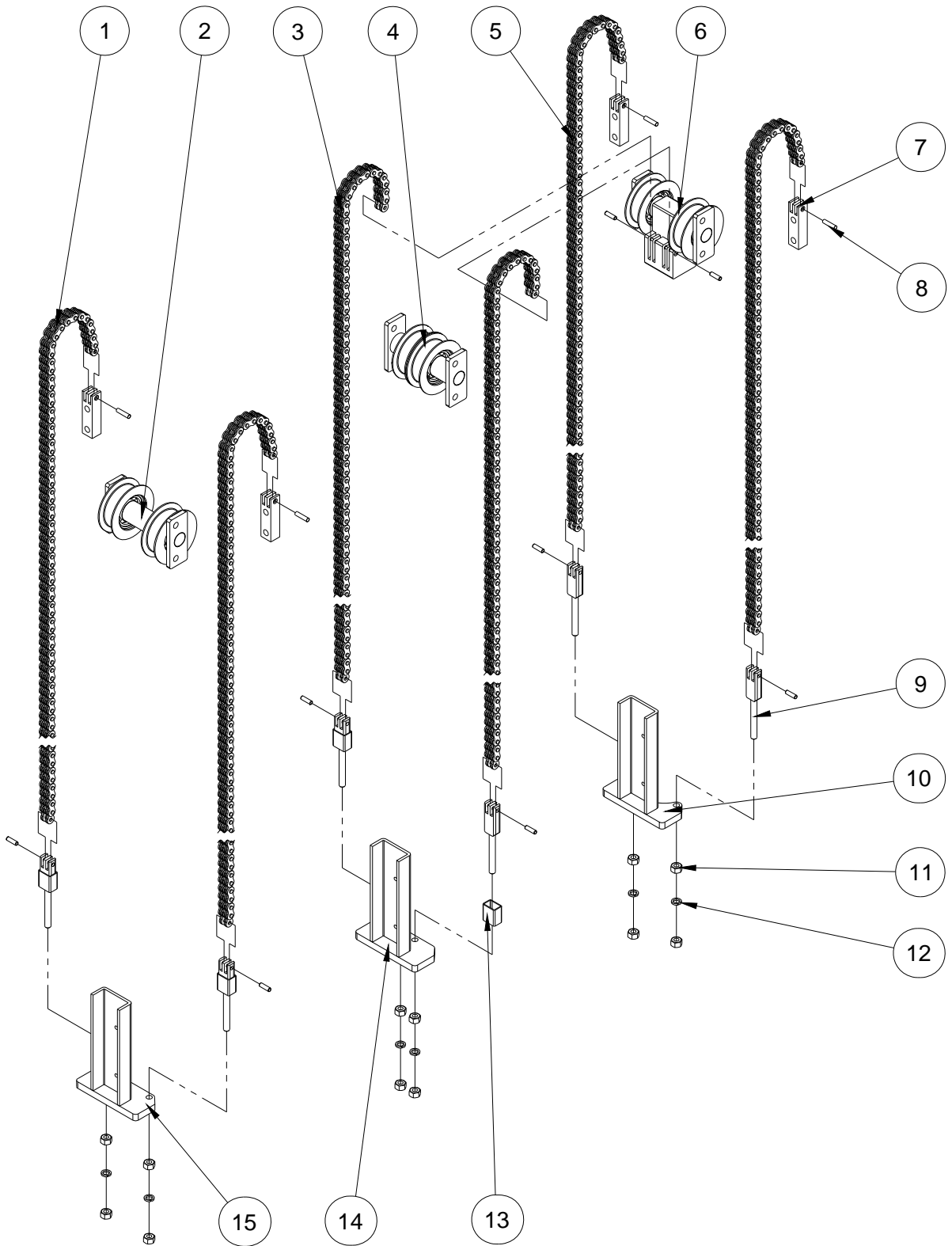


Figure 2-5 Lifting Chain Assembly (AMWP8-1000)

Item	Part Number	Description	Qty.	Remark
1	AMWP8-1000-200300	(3-5) Mast LH0844-141	2	
2	GTWY10-320100	4-4 Mast chain wheel assembly	1	
3	AMWP8-1000-200200	(2-4) Mast LH0844-141	2	
4	GTWY8-320200	3-3 Mast chain wheel assembly	1	
5	AMWP8-1000-200100	(1-3) Mast LH0844-143	2	
6	GTWY8-320400	2-2 Mast chain wheel assembly	1	
7	GTWY8-320014	Upper chain terminal	4	
8	GTWY8-110311	Chain pin	12	
9	GTWY8-320015	Lower chain terminal	6	
10	GTWY8-320600	Dragger	1	
11	GB/T 41-2000	Nut M8	12	
12	GB/T 93-1987	Spring washer 8	6	
13	GTWY8-320030	Nylon sheath	4	
14	GTWY8-320700	Dragger 2	1	
15	GTWY8-320800	Dragger 3	1	

Figure 2-6 Lifting Chain Assembly (AMWP9.5-1000)

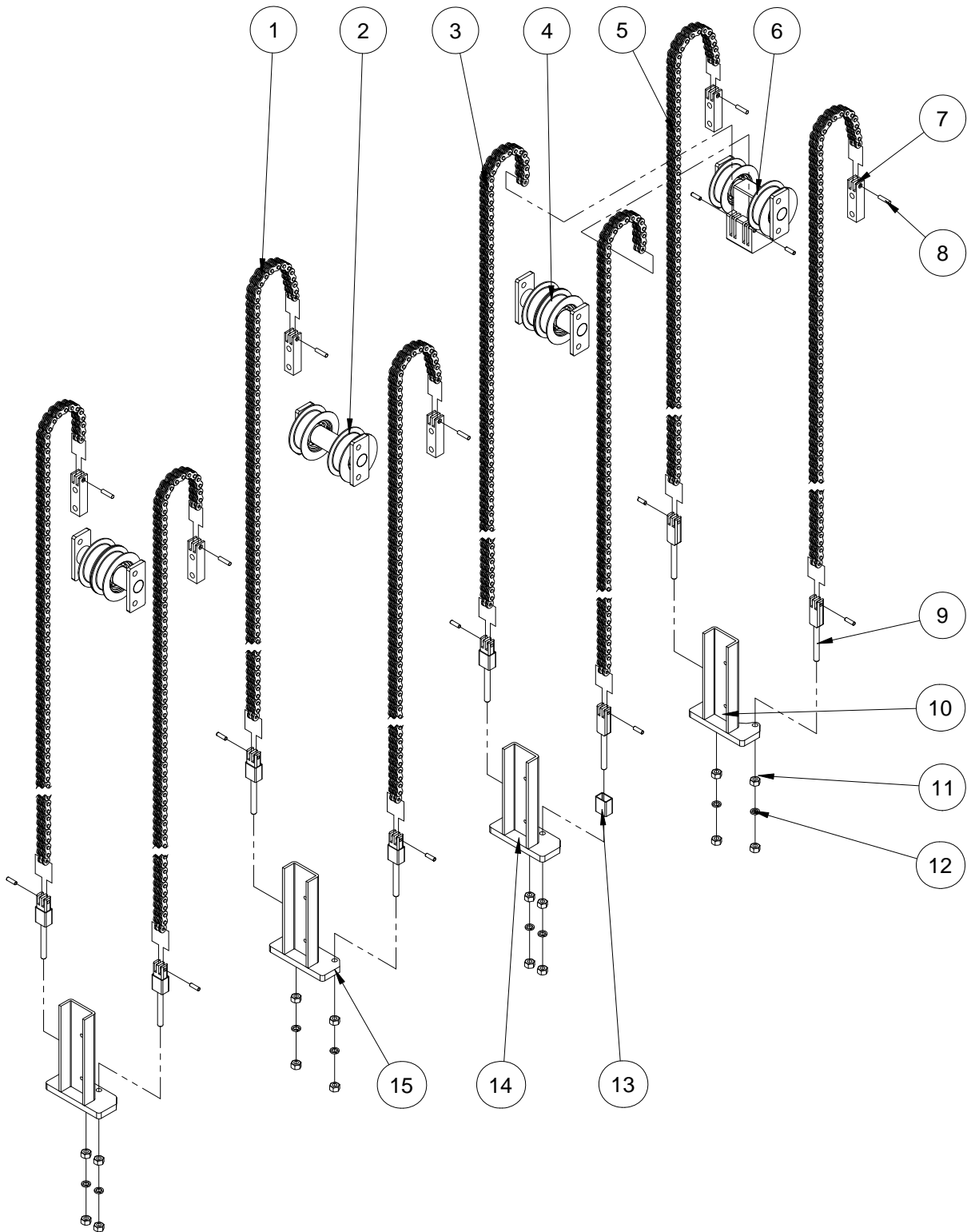
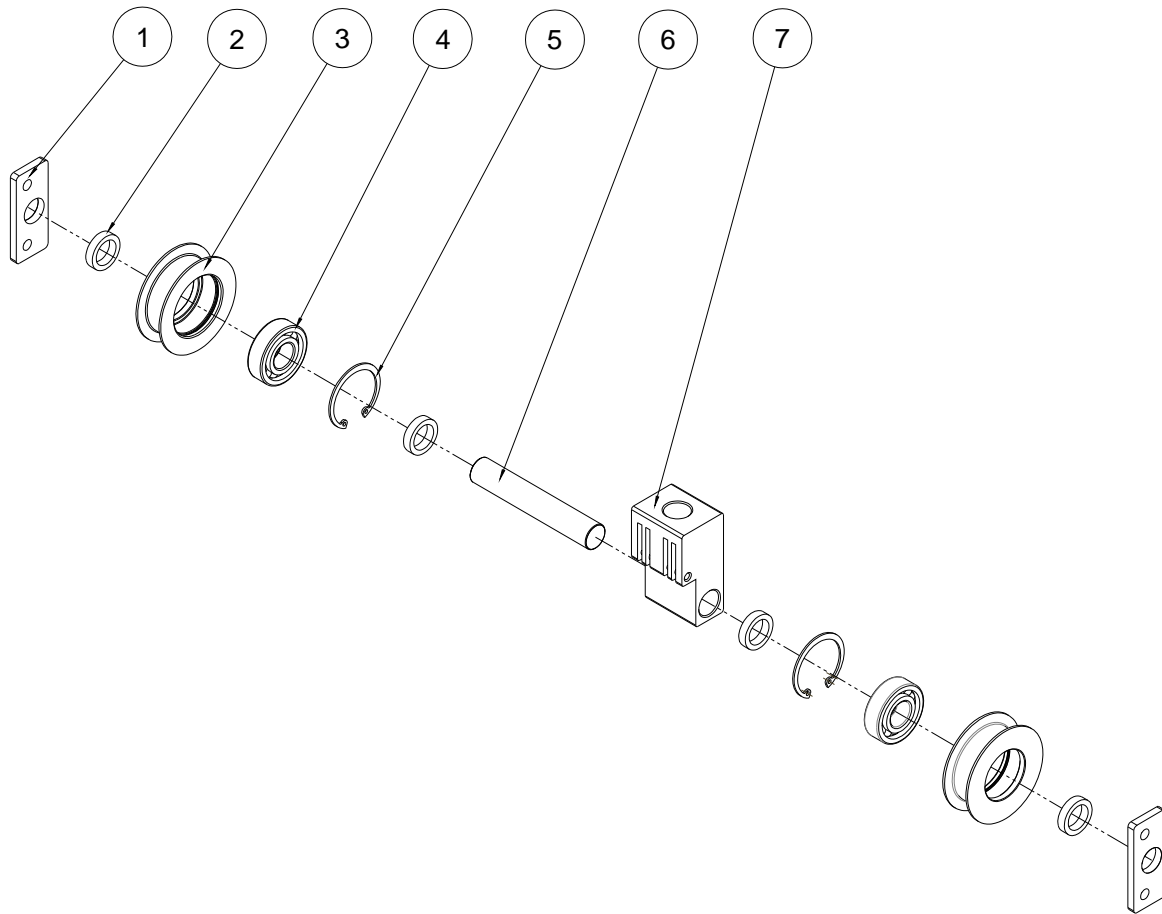


Figure 2-6 Lifting Chain Assembly (AMWP9.5-1000)

Item	Part Number	Description	Qty.	Remark
1	AMWP8-1000-200300	(3-5) Mast LH0844-141	2	
2	GTWY10-320100	4-4 Mast chain wheel assembly	1	
3	AMWP8-1000-200200	(2-4) Mast LH0844-141	4	
4	GTWY8-320200	3-3 Mast chain wheel assembly	2	
5	AMWP8-1000-200100	(1-3) Mast LH0844-143	2	
6	GTWY8-320400	2-2 Mast chain wheel assembly	1	
7	GTWY8-320014	Upper chain terminal	6	
8	GTWY8-110311	Chain pin	16	
9	GTWY8-320015	Lower chain terminal	8	
10	GTWY8-320600	Dragger	1	
11	GB/T 41-2000	Nut M8	16	
12	GB/T 93-1987	Spring washer 8	8	
13	GTWY8-320030	Nylon sheath	6	
14	GTWY8-320700	Dragger 2	2	
15	GTWY8-320800	Dragger 3	1	

Figure 2-7 2-2 Mast Chain Wheel Assembly**Figure 2-7 2-2 Mast Chain Wheel Assembly**

Item	Part Number	Description	Qty.	Remark
1	GTWY8-320201	Chain wheel supporting plate	2	
2	GTWY8-320302	Bushing (4)	4	
3	GTWY8-320203	Chain wheel	2	
4	GB/T 276-1994	Bearing 6204	2	
5	GB/T 893.1-1986	Circlips for holes 47	2	
6	GTWY8-320202	Chain wheel rod	1	
7	GTWY8-320401	Chain terminal	1	

Figure 2-8 3-3 Mast Chain Wheel Assembly

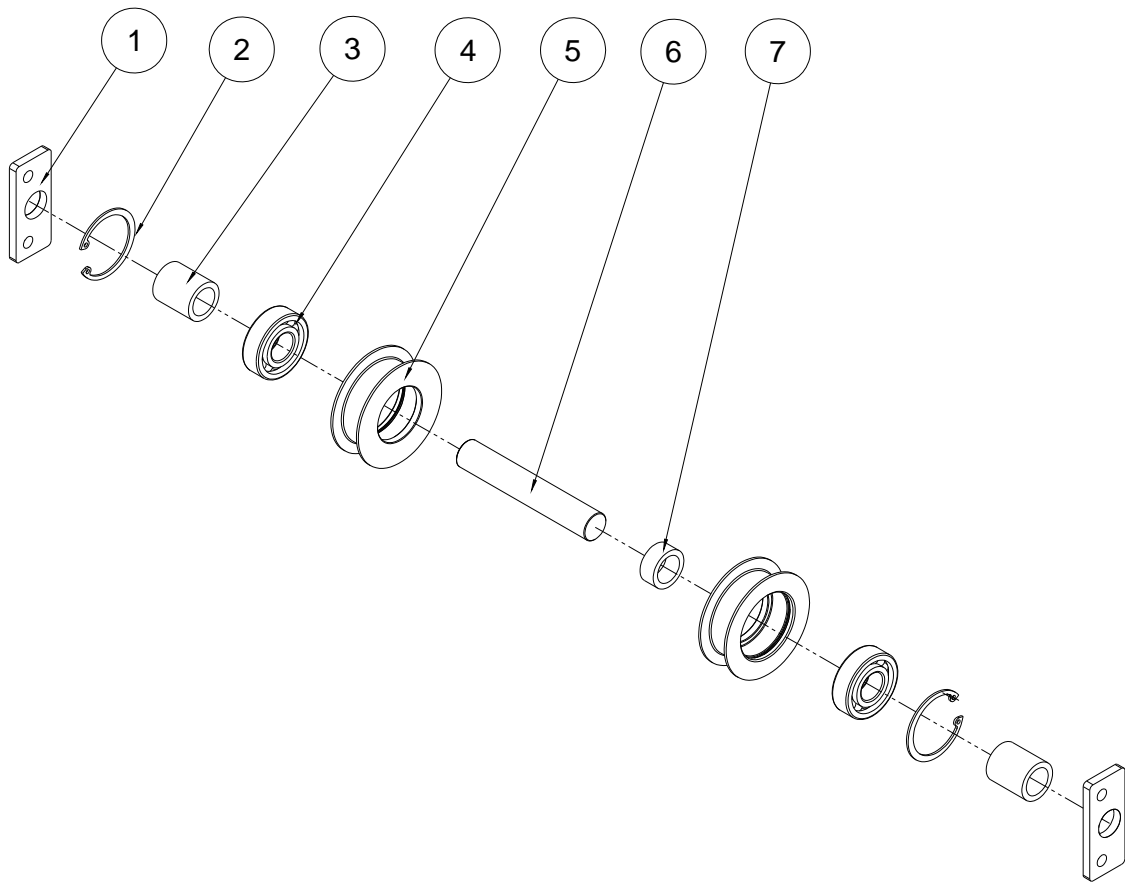
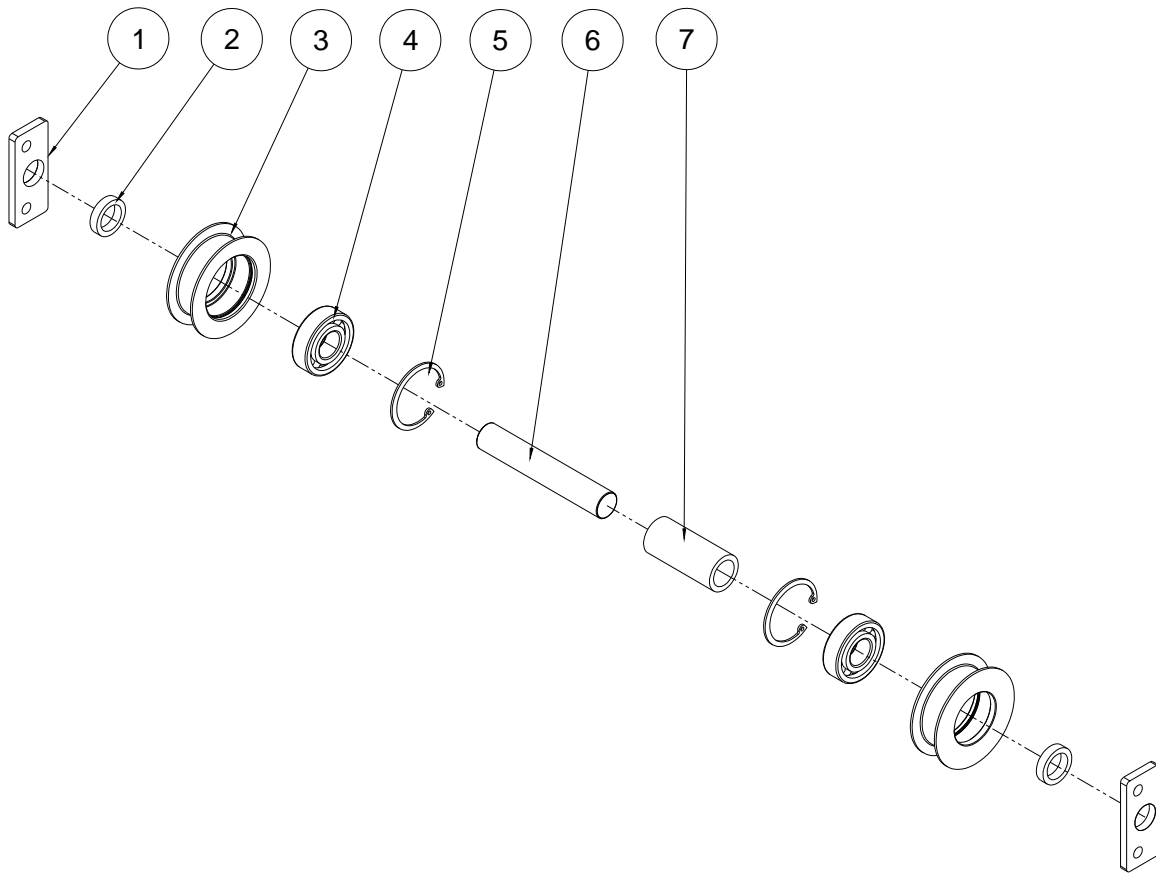


Figure 2-8 3-3 Mast Chain Wheel Assembly

Item	Part Number	Description	Qty.	Remark
1	GTWY8-320201	Chain wheel supporting plate	2	
2	GB/T 893.1-1986	Circlips for holes 47	2	
3	GTWY8-320205	Bushing (2)	2	
4	GB/T 276-1994	Bearing 6204	2	
5	GTWY8-320203	Chain wheel	2	
6	GTWY8-320202	Chain wheel rod	1	
7	GTWY8-320204	Bushing (1)	1	

Figure 2-9 4-4 Mast Chain Wheel Assembly**Figure 2-9 4-4 Mast Chain Wheel Assembly**

Item	Part Number	Description	Qty.	Remark
1	GTWY8-320201	Chain wheel supporting plate	2	
2	GTWY8-320302	Bushing (4)	2	
3	GTWY8-320203	Chain wheel	2	
4	GB/T 276-1994	Bearing 6204	2	
5	GB/T 893.1-1986	Circlips for holes 47	2	
6	GTWY8-320202	Chain wheel rod	1	
7	GTWY8-320301	Bushing (3)	1	

Section
3

Platform

Figure 3-1 Platform and Mast Installation (Standard Platform)

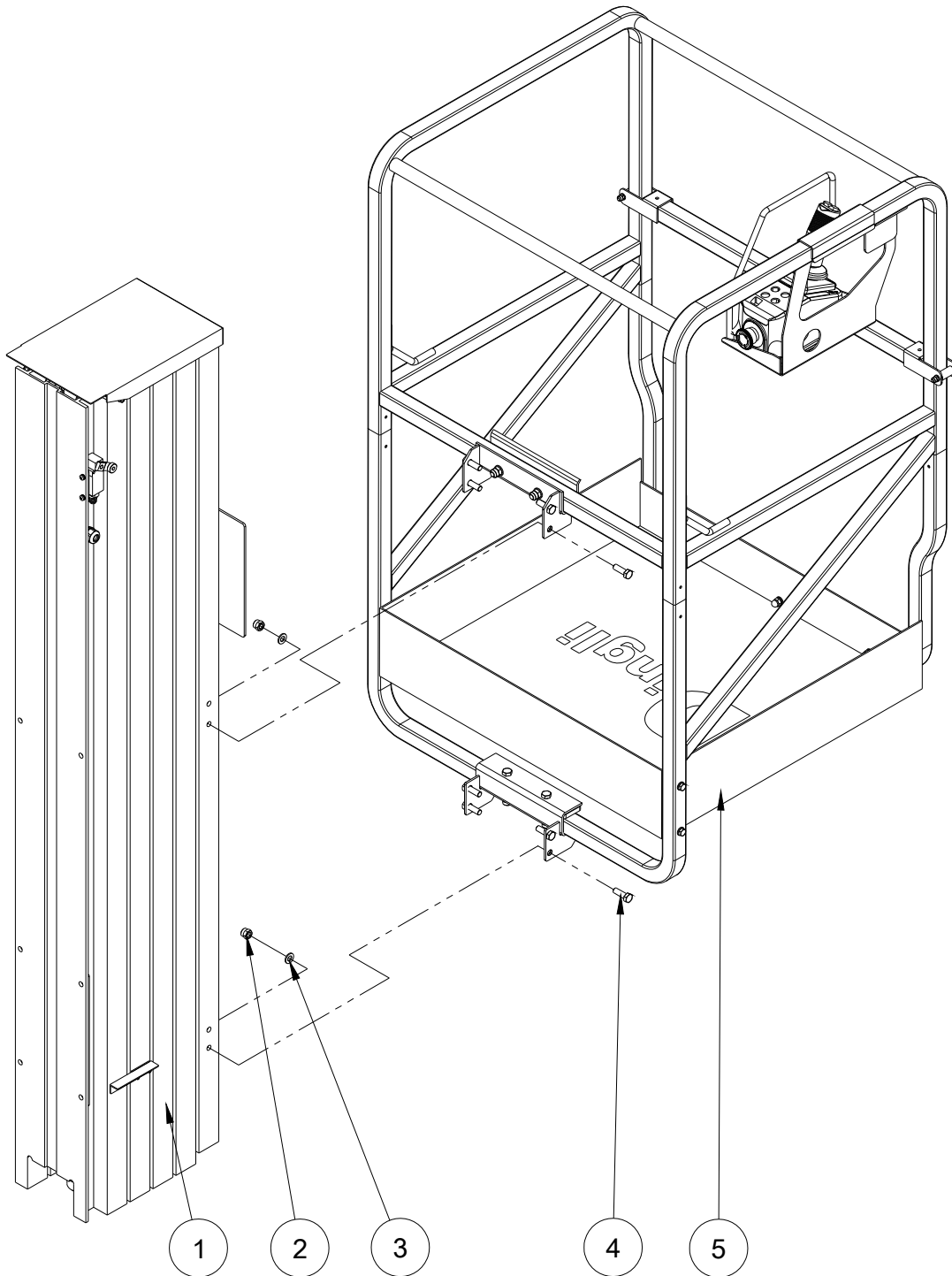


Figure 3-1 Platform and Mast Installtion (Standard Platform)

Item	Part Number	Description	Qty.	Remark
1	AMWP8-1000-320000	Mast assembly	1	AMWP8-1000
	AMWP9.5-1000-320000	Mast assembly	1	AMWP9.5-1000
2	GB/T 6182-2000	Nut M10	8	
3	GB/T 97.1-2002	Washer 10	8	
4	GB/T 5783-2000	Bolt M10×30	8	
5	AMWP8-1100-410000	Platform assembly	1	

Figure 3-2 Platform and Mast Installtion (Extended Platform)

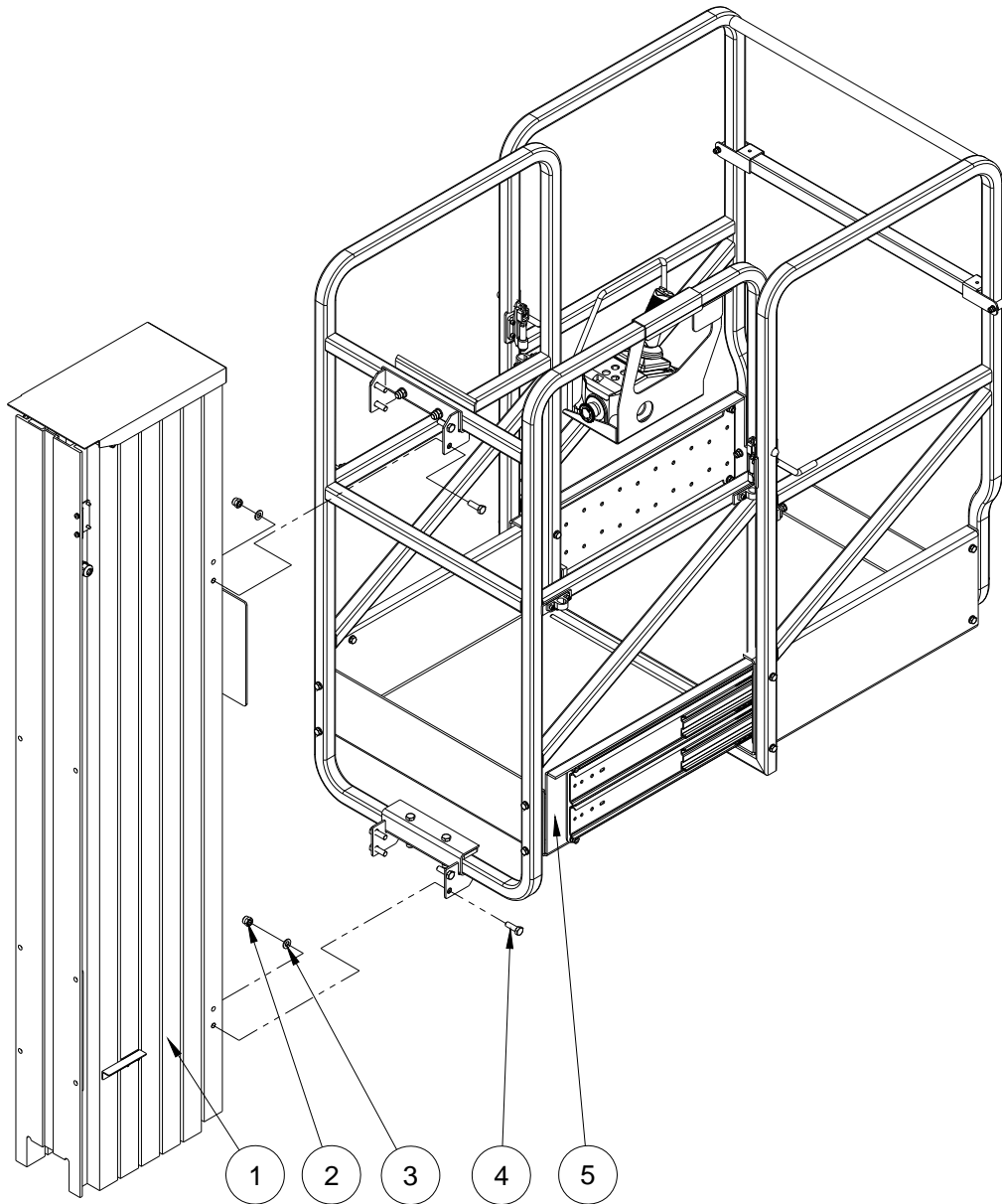


Figure 3-2 Platform and Mast Installtion (Extended Platform)

Item	Part Number	Description	Qty.	Remark
1	AMWP8-1000-321000	Mast assembly	1	AMWP8-1000
	AMWP9.5-1000-321000	Mast assembly	1	AMWP9.5-1000
2	GB/T 6182-2000	Nut M10	8	
3	GB/T 97.1-2002	Washer 10	8	
4	GB/T 5783-2000	Bolt M10×30	8	
5	AMWP8-1100-431000	Platform assembly	1	

Figure 3-3 Platform Assembly (Standard Platform)

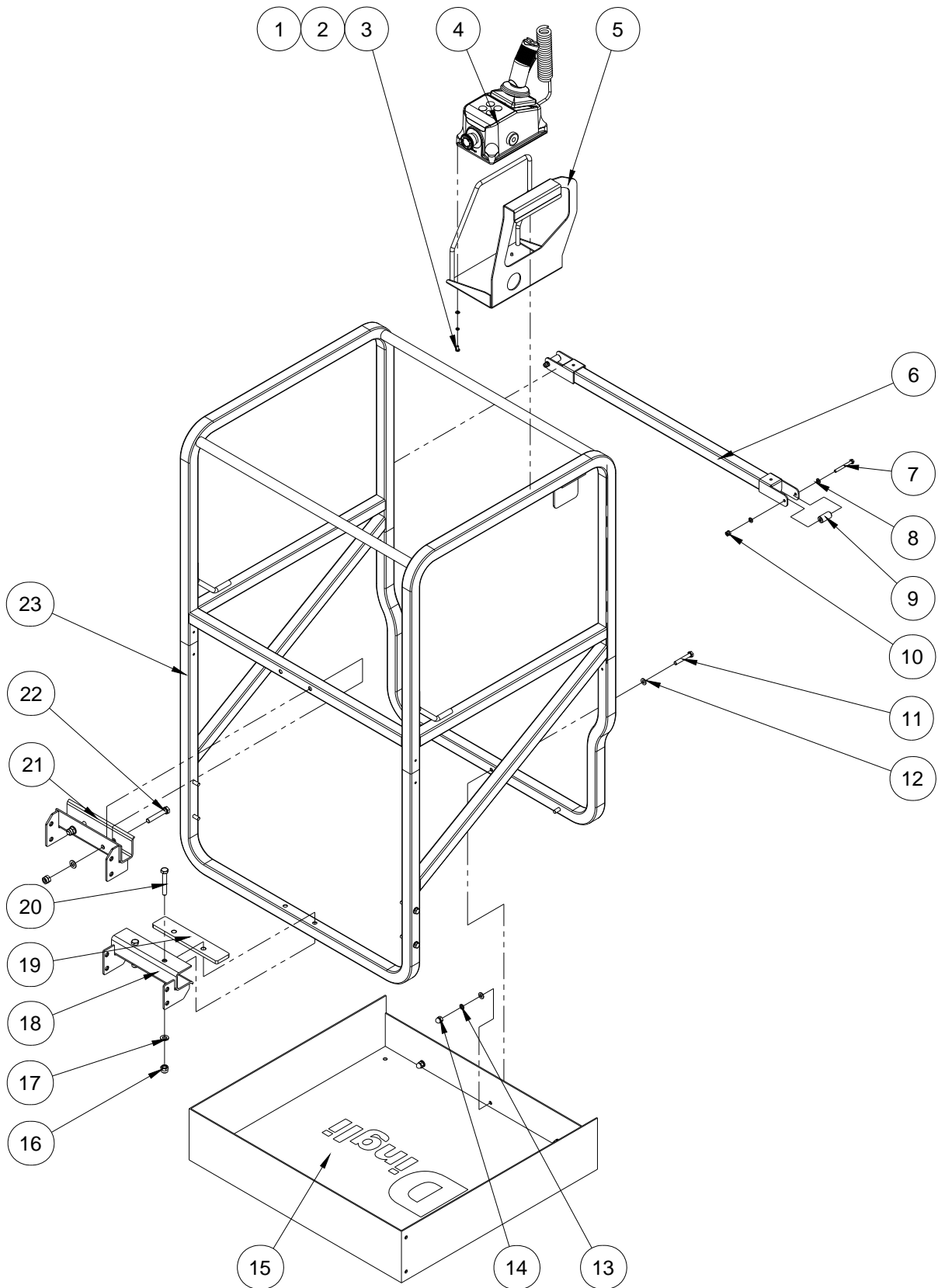


Figure 3-3 Platform Assembly (Standard Platform)

Item	Part Number	Description	Qty.	Remark
1	GB/T 818-2000	Screw M5×10-H	4	
2	GB/T 93-1987	Spring washer 5	4	
3	GB/T 97.1-2002	Washer 5	4	
4	JCPT0507DC-720100	Platform control box	1	
5	TYSBZ-001	Seat of platform control box	1	
6	AMWP8-1000-450120	Slip pole	1	
7	GB/T 5783-2000	Bolt M6×55	2	
8	GB/T 97.1-2002	Washer 6	4	
9	AMWP8-1000-450101	Idler wheel	2	
10	GB/T 6182-2000	Nut M6	2	
11	GB/T 5783-2000	Bolt M8×50	7	
12	GB/T 97.1-2002	Washer 8	14	
13	GB/T 93-1987	Spring washer 8	7	
14	GB/T 923-1988	Nut M8	7	
15	AMWP8-1000-410001	Worktable	1	
16	GB/T 6182-2000	Nut M10	4	
17	GB/T 97.1-2002	Washer 10	4	
18	AMWP8-1000-410400	Lower bracket	1	
19	AMWP8-1000-410002	Cushion	1	
20	GB/T 5783-2000	Bolt M10×65	2	
21	AMWP8-1000-410300	Upper bracket	1	
22	GB/T 5783-2000	Bolt M10×60	2	
23	AMWP8-1000-410100	Guardrail weldment	1	

Figure 3-4 Platform Assembly (Extended Platform)

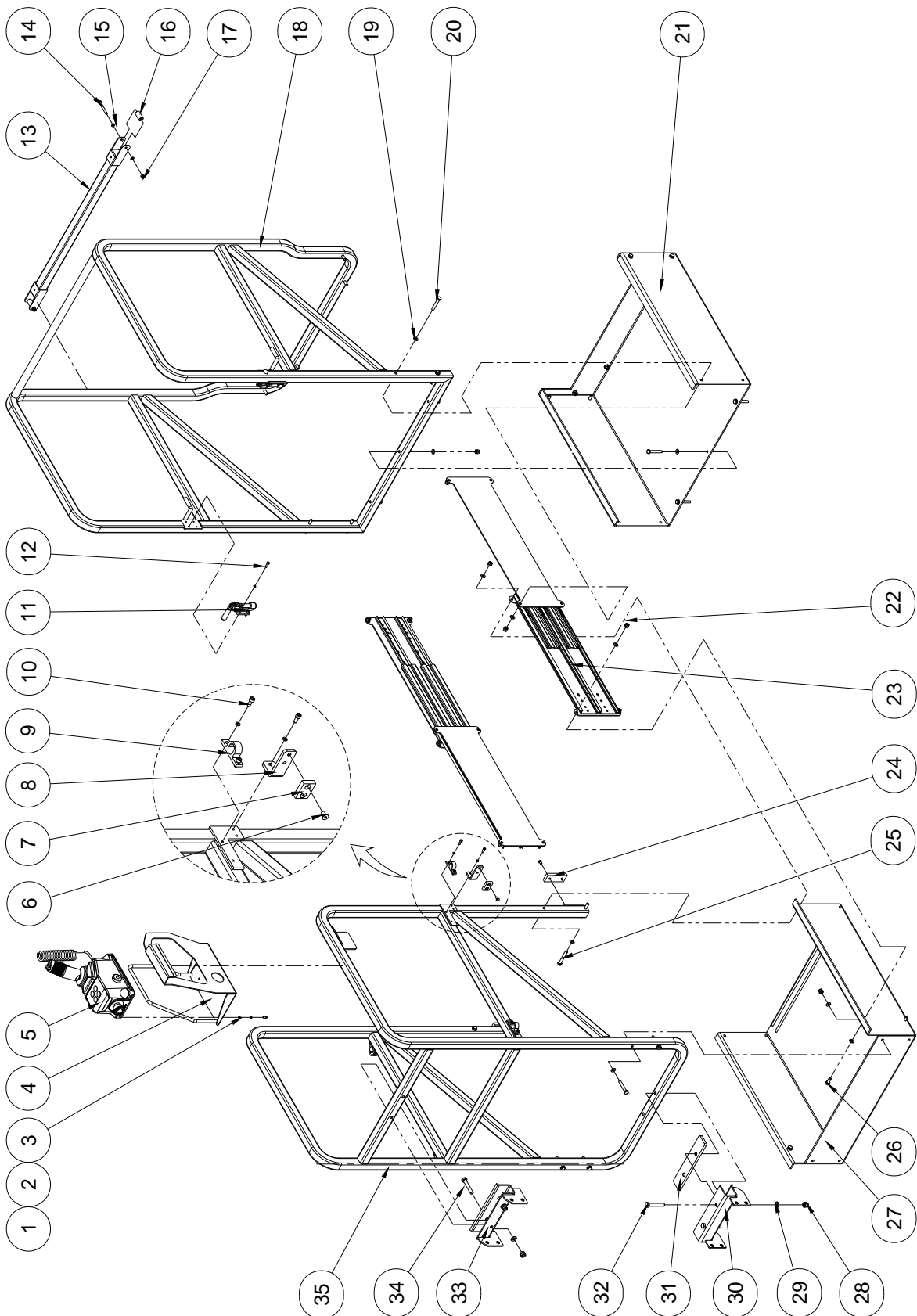


Figure 3-4 Platform Assembly (Extended Platform)

Item	Part Number	Description	Qty.	Remark
1	GB/T 818-2000	Screw M5×10-H	4	
2	GB/T 93-1987	Spring washer 5	24	
3	GB/T 97.1-2002	Washer 5	4	
4	TYSBZ-001	Seat of platform control box	1	
5	JCPT0507DC-720100	Platform control box	1	
6	GB/T 70.3-2000	Screw M6×12	8	
7	AMWP8-1000-431105	Upper obstructive block	2	
8	AMWP8-1000-431104	Seat of upper obstructive block	2	
9	AMWP8-1000-431102	Obstructive block	4	
10	GB/T 70.1-2000	Screw M5×12	12	
11	DYT2-27-36010	Inserted pin 305	2	
12	GB/T 70.1-2000	Screw M5×16	8	
13	AMWP8-1000-451120	Slip pole	1	
14	GB/T 5783-2000	Bolt M6×55	2	
15	GB/T 97.1-2002	Washer 6	4	
16	AMWP8-1000-450101	Idler wheel	2	
17	GB/T 6182-2000	Nut M6	2	
18	AMWP8-1000-431220	Extended frame	1	
19	GB/T 97.1-2002	Washer 8	54	
20	GB/T 5783-2000	Bolt M8×50	15	
21	AMWP8-1000-431201	Extended worktable	1	
22	GB/T 6182-2000	Nut M8	27	
23	AMWP8-1000-431300	Glide track	2	
24	AMWP8-1000-431103	Front obstructive block	2	
25	GB/T 5783-2000	Bolt M8×55	4	
26	GB/T 5783-2000	Bolt M8×20	8	
27	AMWP8-1000-431101	Fixed worktable	1	
28	GB/T 6182-2000	Nut M10	4	
29	GB/T 97.1-2002	Washer 10	4	

Figure 3-4 Platform Assembly (Extended Platform)

Item	Part Number	Description	Qty.	Remark
30	AMWP8-1000-410400	Lower bracket	1	
31	AMWP8-1000-410002	Cushion	1	
32	GB/T 5783-2000	Bolt M10×65	2	
33	AMWP8-1000-410300	Upper bracket	1	
34	GB/T 5783-2000	Bolt M10×60	2	
35	AMWP8-1000-431120	Fixed frame	1	

Figure 3-5 Platform Control Box

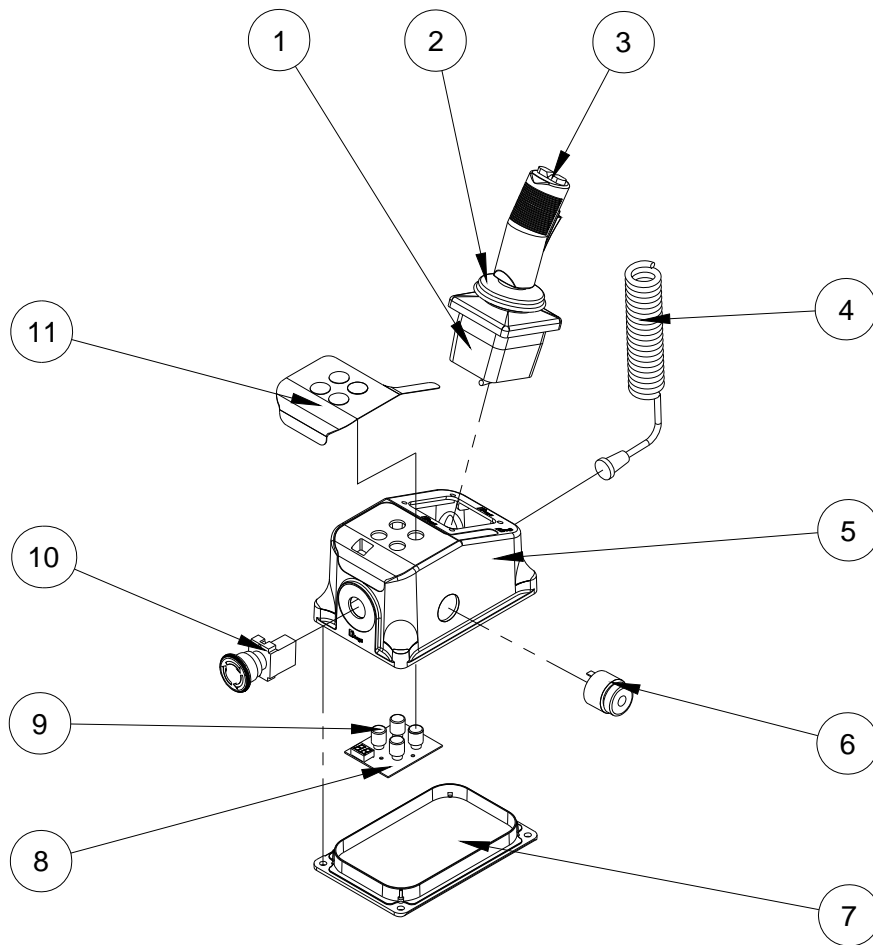


Figure 3-5 Platform Control Box

Item	Part Number	Description	Qty.	Remark
1	JCPT0507DC-720120	Joystick	1	
2	JCPT1212HD-720101	Dustproof cover	1	
3	JCPT1212HD-720120	Switch boot	1	
4	JCPT1212HD-720130	Coil cord	1	
5	JCPT1212HD-720141	Platform control box	1	
6	JCPT1212HD-720102	Alarm	1	
7	JCPT1212HD-720141	Platform control box bottom	1	
8	JCPT0507DC-720130	PC board	1	
9	JCPT1212HD-720103	Button	4	
10	JCPT1212HD-720160	Emergency stop switch	1	
11	9114017	Decal	1	

Section
4

Hydraulic System

Figure 4-1 Lift Cylinder Assembly

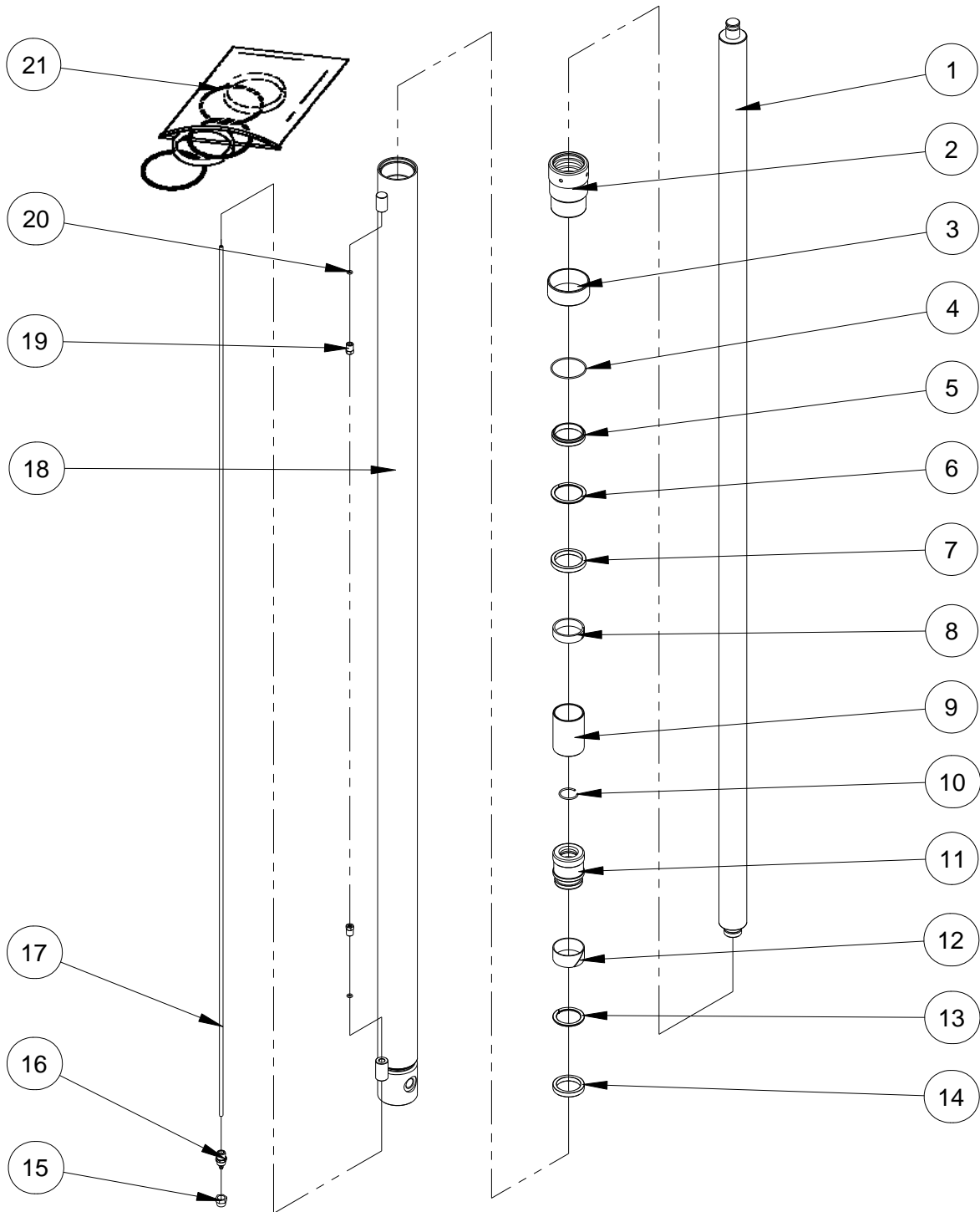


Figure 4-1 Lift Cylinder Assembly

Item	Part Number	Description	Qty.	Remark
1	ZJ-DL-DG(SG)-03(1599)	Piston pole	1	
2	ZJ-DL-DG(SG)-04	Sheath	1	
3	ZJ-DL-DG(SG)-07	Plastic sheath	1	
4	GB/T 3452.1-2005	O ring 47.5×1.8	1	
5	DH 40	Dustptooof ring d40	1	
6	40×50×3	Circle 40	1	
7	USH 40	U sealed ring 40×50×6	1	
8	12×2.5	Thimble	1	
9	ZJ-DL-DG(SG)-02(62)	Thimble	1	
10	GB/T 895.2-1986	Circle 25	1	
11	ZJ-DL-OPK-04	Piston	1	
12	20×2.5	Thimble	1	
13	35×45×2	Circle 35	1	
14	USH-35	Seal ring	1	
15	TYGJT-302	Nut	1	
16	ZJ-DL-DG(SG)-06	Bolt	1	
17	5×3.5(1492)	Thin steel tube	1	
18	ZJ-DL-DG(SG)-01(1565)	Outward steel tube	1	
19	ZJ-DL-DG(SG)-05	Bolt	2	
20	GB/T 3452.1-2005	O ring 4.5×1.8	2	
21	ZJ-DL-DG(SG)-00	Seal kit	1	

Figure 4-2 Hydraulic Hoses and Fittings

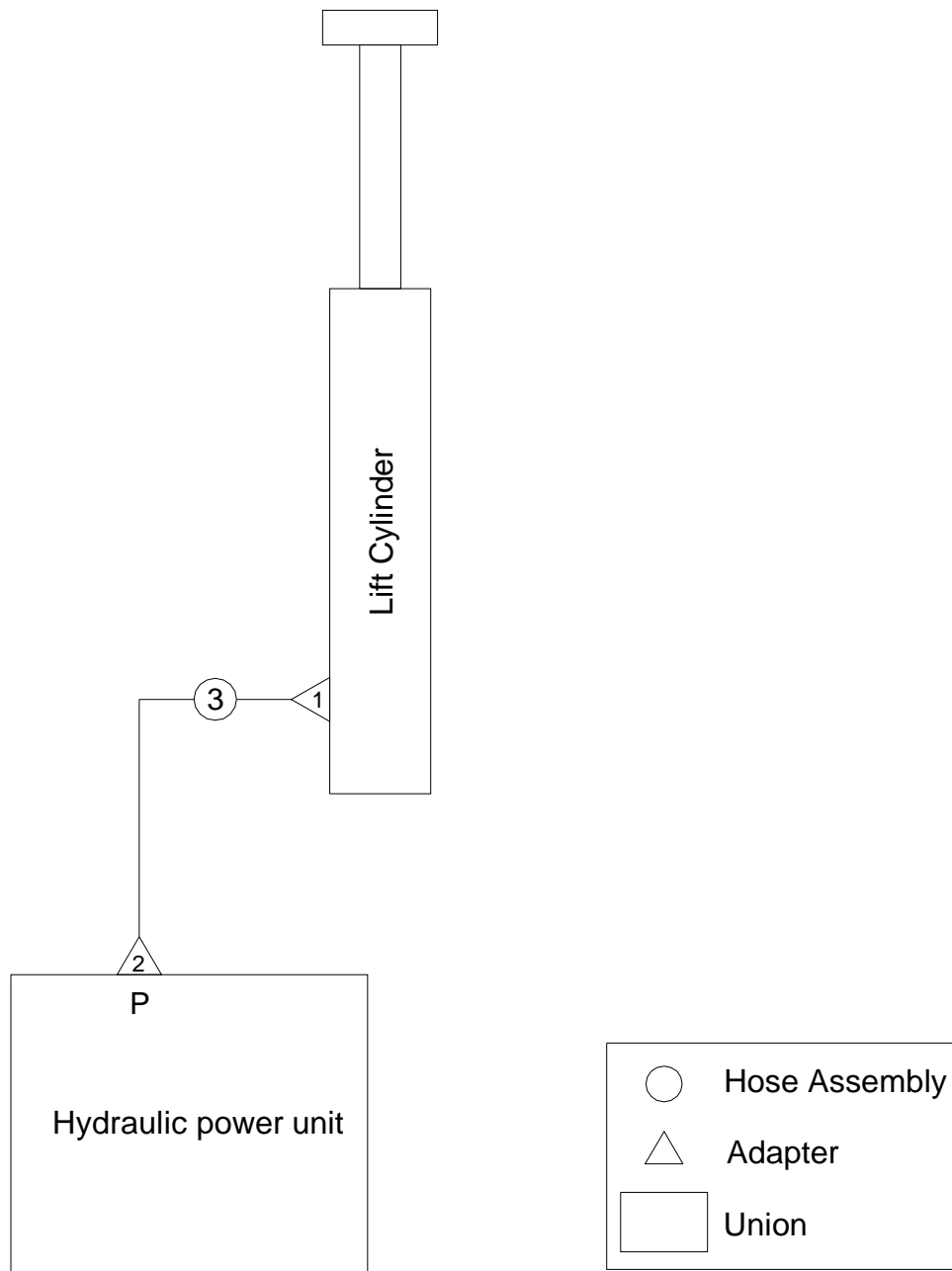


Figure 4-2 Hydraulic Hoses and Fittings

Item	Part Number	Description	Qty.	Remark
1	GE10LM16×1.5ED	Straight fitting	1	
2	GE10LM16×1.5EDL92	Straight fitting	1	
3	1SN08-M21513-05-16/M 21593-05-16-650	Lift cylinder hose assembly	1	